

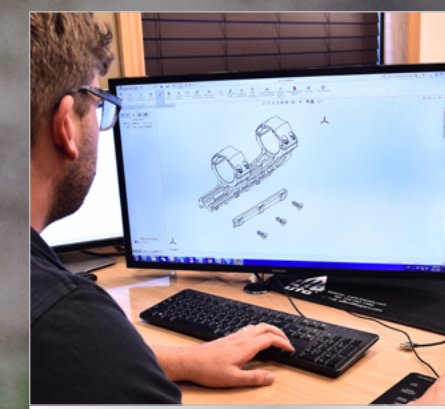


INTRODUCTION

A precision rifle is only as good as the sum of its parts. Avid shooters take the time to better themselves on a regular basis; familiarizing themselves with their firearms, working on their breathing, trigger control, clearing malfunctions, and more. If we as shooters dedicate so much time and effort out on the range, repetition after repetition. As a manufacturer, we understand the importance of dedicating our full attention, time, and effort into the products we make available to you. Take for example, the importance of a high quality pair of scope rings. Long distance precision requires a synchronized sum of parts up range first before performing down range at distance. The relationship between the optic, scope rings, and the firearm's receiver requires much attention and precise execution to work well together and ultimately for the shooter. It is this specific parts relationship that we hone in on during the manufacturing of our scope rings and along with that, the same attention to detail and precise execution every step of the way.

LEAPERS, INC.
THE BEST NEVER REST
LIFETIME WARRANTY

ABSOLUTE COMMITMENT TO QUALITY



Intensive Engineering and Programming



State of the Art Manufacturing



Optimized Fixture Design and Layout



Total Commitment to Precision



Relentless Search for Excellence



Best Valued Products on the Market

MUST HAVE PRODUCTS FOR 2019



ACCU-SYNC® SCOPE RINGS



P.O.I.® SCOPE RINGS



PRECISION STEEL RINGS

UTG RING MOUNTS
 FOR OPTICS/FLASHLIGHTS/LASERS



ACCU-SYNC® OFFSET PICATINNY SCOPE RINGS

- 6061-T6 ALUMINUM
- CNC MACHINED
- MIL-STD-1913 PICATINNY
- OFFSET
- SUPER SLIM PROFILE
- AVAILABLE COLOR(S)
 - Matte Black Anodized
 - Matte Blue Anodized
 - Matte Red Anodized
 - FDE Cerakote®
 - OD Green Cerakote®
 - Gun Metal Cerakote®
- DIMENSIONS



ACCU-SYNC® Offset Picatinny Scope Rings

- Precision CNC Machined Aircraft Aluminum in a Variety of Different Colored Anodizations and Cerakote®
- Radiused Edges and Corners to Prevent Snagging of Other Gear



SINGLE OFFSET RINGS



Radiused Edges and Corners

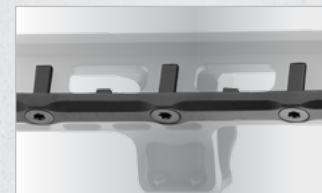
Significant Lightening Cuts Massively Reduce Weight Without Compromising Durability



INTEGRAL OFFSET RINGS



Super Slim Design with Lightening Cuts Reduce Weight without Compromising Structural Integrity



Locking Side Plate with Torx Screws and Square-shaped Integral Recoil Stops for a Secure and Repeatable Zero Hold



Precision Machined Inner Ring Surface to Achieve a Seamless Interface Between the Scope Ring and Tube



Additional Color Anodized Accessories Available



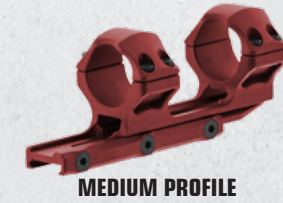
Ultra Slim M-LOK® | Keymod Handstops [Also Refer to P. 149]



UTG PRO® AR15 2-Tone Super Slim Free Float M-LOK® | Keymod Rail Systems [Also Refer to P. 072]



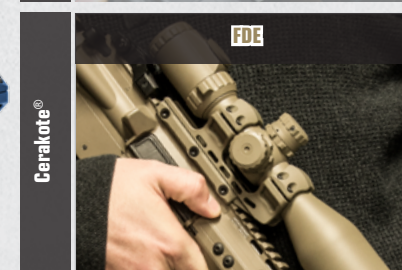
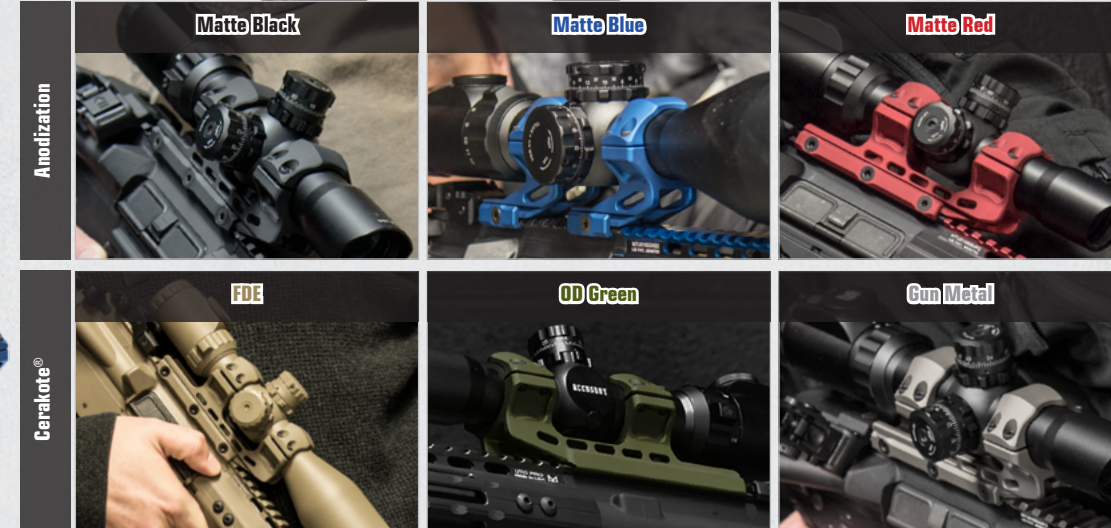
UTG PRO® AR15 Mil-Spec 6 Position Receiver Extension Tubes [Also Refer to P. 138]



MEDIUM PROFILE



HIGH PROFILE



Model #	Matte Black	AIR11834	AIR11850	AIR12234	AIR12250	AIR31834	AIR31850	AIR32234	AIR32250	AIR42250	AIR122S	AIR322S	AIR422S
Ring Type	Integral Offset Rings (set of 11)										Single Offset Rings (set of 21)		
Ring Diameter	1"	1"	1"	1"	30mm	30mm	30mm	30mm	30mm	34mm	1"	30mm	34mm
Profile	Medium	Medium	High	High	Medium	Medium	High	High	High	High	High	High	High
Max. Scope Outer Dia.	61mm	61mm	69mm	69mm	65mm	65mm	73mm	73mm	77mm	77mm	69mm	73mm	77mm
A-Center Height	31mm	31mm	35mm	35mm	33mm	33mm	37mm	37mm	39mm	39mm	35mm	37mm	39mm
B-Saddle Height	18mm	18mm	22mm	22mm	18mm	18mm	22mm	22mm	22mm	22mm	22mm	22mm	22mm
C-Ring Width	25mm	25mm	25mm	25mm	25mm	25mm	25mm	25mm	25mm	25mm	25mm	25mm	25mm
D-Ring Distance	44mm	60mm	44mm	60mm	44mm	60mm	44mm	60mm	60mm	60mm	N/A	N/A	N/A
E-Integral Base Length	100mm	100mm	100mm	100mm	100mm	100mm	100mm	100mm	100mm	100mm	32mm	32mm	32mm
F-Offset Distance	34mm	50mm	34mm	50mm	34mm	50mm	34mm	50mm	50mm	50mm	37mm	37mm	37mm
Other Available Colors #													
	AIR11834AB	AIR11850AB	AIR12234AB	AIR12250AB	AIR31834AB	AIR31850AB	AIR32234AB	AIR32250AB	AIR42250AB	AIR122SAB	AIR322SAB	AIR422SAB	
	AIR11834AR	AIR11850AR	AIR12234AR	AIR12250AR	AIR31834AR	AIR31850AR	AIR32234AR	AIR32250AR	AIR42250AR	AIR122SAR	AIR322SAR	AIR422SAR	
	AIR11834M	AIR11850M	AIR12234M	AIR12250M	AIR31834M	AIR31850M	AIR32234M	AIR32250M	AIR42250M				
	AIR11834D	AIR11850D	AIR12234D	AIR12250D	AIR31834D	AIR31850D	AIR32234D	AIR32250D	AIR42250D				
	AIR11834G	AIR11850G	AIR12234G	AIR12250G	AIR31834G	AIR31850G	AIR32234G	AIR32250G	AIR42250G				



P.O.I.® PICATINNY | DOVETAIL SCOPE RINGS

- MADE IN USA
- 6061-T6 ALUMINUM & STEEL
- PRECISION MACHINED
- MIL-STD-1913 PICATINNY
- 9MM-11MM DOVETAIL
- US PAT. D771218
- EU PAT. 002761064-0001
- SUPER SLIM PROFILE
- AVAILABLE COLOR(S)
■ Matte Black Anodized
- DIMENSIONS

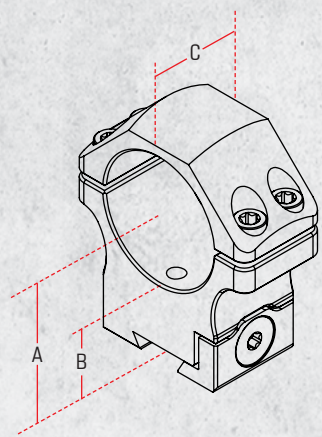


UTG PRO® Precision Optics Interface - P.O.I.® Scope Rings

- The Michigan Difference - Enhanced Precision, Material Strength, and Quality Control
- Snag Free Contoured Profile with Reduced Weight and Size
- Interfaces with Scope Tube and Firearm Mounting Base at All Key Points
- Secure and Reliable Interface Possible Between Optic and Firearm



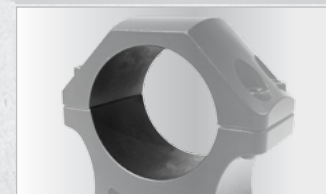
PRECISION OPTICS INTERFACE (P.O.I.®)



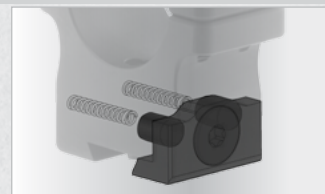
PICATINNY



DOVETAIL



Precision Machined Inner Ring Interfaces with Scope Tube to Achieve a Seamless Ring-to-Scope Interaction



Steel Locking Side Plate Controlled by Dual Spring Loaded Guide Rods with Torx Screw Locking Ensures a Secure and Repeatable Zero Hold



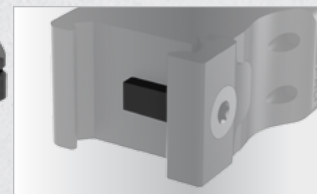
Snag Free Contoured Profile with Reduced Weight and Size



.50 BMG RATED



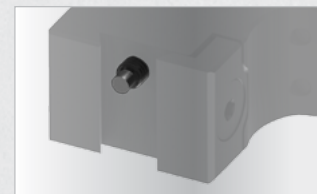
PICATINNY



Square-shaped Integral Recoil Stop with Complete Surface Contact Eliminates the Possibility of Forward and Rearward Movement from Recoil



DOVETAIL



Removable Threaded Recoil Stop Eliminates the Possibility of Forward and Rearward Recoil that Occurs with Spring Air Rifles



LOW PROFILE



MEDIUM PROFILE



HIGH PROFILE

Model #	RWU012510	RWU012515	RWU012520	RWU013010	RWU013015	RWU013022	RWU013415	RWU013420	RDU012515	RDU012520	RDU013010	RDU013015	RDU013022
Ring Type	Picatinny [set of 2]								Dovetail [set of 2]				
Ring Diameter	1"	1"	1"	30mm	30mm	30mm	34mm	34mm	1"	1"	30mm	30mm	30mm
Profile	Low	Medium	High	Low	Medium	High	Medium	High	Medium	High	Low	Medium	High
Max. Scope Outer Dia.	45mm	55mm	65mm	49mm	59mm	73mm	63mm	73mm	55mm	65mm	49mm	59mm	73mm
A-Center Height	23mm	28mm	33mm	25mm	30mm	37mm	32mm	37mm	28mm	33mm	25mm	30mm	37mm
B-Saddle Height	10mm	15mm	20mm	10mm	15mm	22mm	15mm	20mm	15mm	20mm	10mm	15mm	22mm
C-Ring Width	22mm	22mm	22mm	22mm	22mm	22mm	22mm	22mm	22mm	22mm	22mm	22mm	22mm



MAX STRENGTH™ QUICK DETACH PICATINNY SCOPE RINGS

- AIRCRAFT ALUMINUM
- PRECISION MACHINED
- MIL-STD-1913 PICATINNY
- QD LEVER LOCK
- QD TWIST LOCK
- US PAT. 8397421
- US PAT. D638089
- AVAILABLE COLOR(S)
- Matte Black Anodized
- DIMENSIONS



MAX STRENGTH™ QD Lever Lock | QD Twist Lock Scope Rings

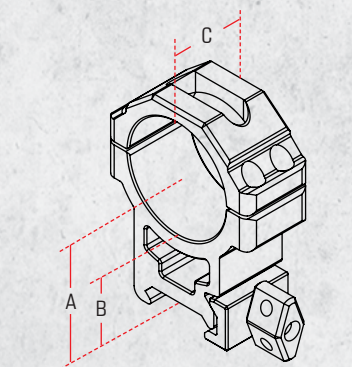
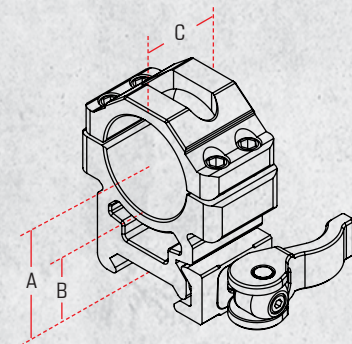
- Posi-lock Crossbolt and Spring Tension Controlled Locking Plate with Steel Insert Guarantees a Secure Installation and Repeatable Zero
- Lightening Cuts Reduce Overall Weight (Medium and High Profile Models Only)



QD LEVER LOCK



QD TWIST LOCK



Protective Synthetic Grip Tape Applied on Ring's Internal Surface to Secure Slightly Undersized Scope Tubes



Posi-lock Crossbolt with Anti-rotation Tab for Optimum Fit and Zero Retention



Lightening Cuts Reduce Overall Weight Without Compromising Structural Integrity or Performance



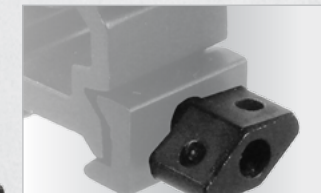
QD LEVER LOCK



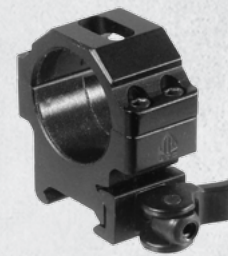
Quick Detach Lever Lock with Tension Adjustment Screw for a Fine Tuned Installation



QD TWIST LOCK



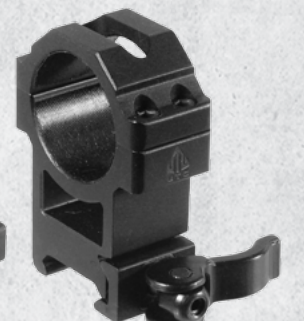
Twist Lock for an Easy Installation with Allen Holes to Apply Recommended Torque



LOW PROFILE



MEDIUM PROFILE



HIGH PROFILE

Model #	RQ2W1104	RQ2W1154	RQ2W1204	RQ2W3104	RQ2W3154	RQ2W3224	RG2W1104	RG2W1154	RG2W1204	RG2W3104	RG2W3154	RG2W3224
Ring Type	QD Lever Lock Picatinny [set of 2]						QD Twist Lock Picatinny [set of 2]					
Ring Diameter	1"	1"	1"	30mm	30mm	30mm	1"	1"	1"	30mm	30mm	30mm
Profile	Low	Medium	High	Low	Medium	High	Low	Medium	High	Low	Medium	High
Max. Scope Outer Dia.	45mm	55mm	65mm	49mm	59mm	73mm	45mm	55mm	65mm	49mm	59mm	73mm
A-Center Height	23mm	28mm	33mm	25mm	30mm	37mm	23mm	28mm	33mm	25mm	30mm	37mm
B-Saddle Height	10mm	15mm	20mm	10mm	15mm	22mm	10mm	15mm	20mm	10mm	15mm	22mm
C-Ring Width	18mm	22mm	22mm	22mm	22mm	22mm	18mm	22mm	22mm	22mm	22mm	22mm



ACCUSHOT® PICATINNY | DOVETAIL SCOPE RINGS

- AIRCRAFT ALUMINUM
- PRECISION MACHINED
- MIL-STD-1913 PICATINNY
- DOVETAIL
- AVAILABLE COLOR(S)
 - Matte Black Anodized
- DIMENSIONS



ACCUSHOT® Picatinny | Dovetail Scope Rings

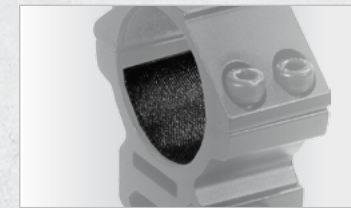
- Protective Synthetic Grip Tape Applied on Ring's Internal Surface to Secure Scope Tube
- Lightening Cuts Reduce Overall Weight



PICATINNY



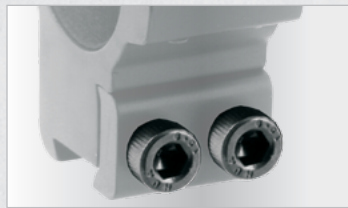
DOVETAIL



Protective Synthetic Grip Tape Applied on Ring's Internal Surface to Secure Scope Tube



Hex Thumb Nut Lock for an Easy Installation with Allen Holes to Apply Additional Torque for Added Security (Picatinny Models)



Dual Locking Hex Screws for a Secure Installation (Dovetail Models)



LOW PROFILE MEDIUM PROFILE HIGH PROFILE INTEGRAL RING INTEGRAL OFFSET RING

Model #	RGWM-25L2	RGWM-25M4	RGWM-25H4	RGWM-30L4	RGWM-30M4	RGWM-30H4	RGWM2PA-25M4	RGWM2PA-25H4
Ring Type	Picatinny Single Rings [set of 2]						Picatinny Integral Rings [set of 1]	
Ring Diameter	1"	1"	1"	30mm	30mm	30mm	1"	1"
Profile	Low	Medium	High	Low	Medium	High	Medium	High
Max. Scope Outer Dia.	45mm	53mm	61mm	47mm	57mm	73mm	61mm	61mm
A-Center Height	23mm	27mm	31mm	24mm	29mm	37mm	31mm	31mm
B-Saddle Height	10mm	14mm	18mm	9mm	14mm	22mm	18mm	18mm
C-Ring Width	16mm	21mm	21mm	21mm	21mm	21mm	21mm	18mm
D-Ring Distance	N/A	N/A	N/A	N/A	N/A	N/A	58mm	39mm
E-Integral Base Length	N/A	N/A	N/A	N/A	N/A	N/A	100mm	62mm
Offset Distance	N/A	N/A	N/A	N/A	N/A	N/A	N/A	38mm



Recoil Stop Crossbolt for Optimum Fit and Zero Retention (Picatinny Models)



Threaded Recoil Stop Pin for Optimum Fit and Added Zero Retention (Dovetail Models)

Model #	RGPM-25M4	RGPM-25H4	RGPM-30M4	RGPM-30H4	RGPM2PA-25M4	RGPM2PA-25H4	RGPM2PA-25H4	RGPM2PA-30M4	RGPM2PA-30H4
Ring Type	Dovetail Single Rings [set of 2]				Dovetail Integral Rings [set of 1]				
Ring Diameter	1"	1"	30mm	30mm	1"	1"	1"	30mm	30mm
Profile	Medium	High	Medium	High	Medium	High	High	Medium	High
Max. Scope Outer Dia.	53mm	67mm	57mm	71mm	53mm	67mm	67mm	57mm	71mm
A-Center Height	27mm	34mm	29mm	36mm	27mm	34mm	34mm	29mm	36mm
B-Saddle Height	14mm	21mm	14mm	21mm	14mm	21mm	21mm	14mm	21mm
C-Ring Width	21mm	21mm	21mm	21mm	21mm	21mm	21mm	21mm	21mm
D-Ring Distance	N/A	N/A	N/A	N/A	58mm	58mm	39mm	58mm	58mm
E-Integral Base Length	N/A	N/A	N/A	N/A	100mm	100mm	62mm	100mm	100mm
Offset Distance	N/A	N/A	N/A	N/A	N/A	N/A	38mm	N/A	N/A



PRECISION STEEL PICATINNY RINGS



Precision Steel Picatinny Rings

- Precision Machined from One Solid Block of Steel to Strict Tolerances for Optimal Fit
- Heat Treated QPQ Matte Black Nitrided for Strength and Additional Weather and Wear Resistance
- Progressively Machined for a Precise Inner Ring Diameter to Achieve Optimal Tube Alignment
- Radiused Edges and Corners to Prevent Snagging, Scratching, or Tearing of Other Gear and for Effortless Access to Scope Windage and Elevation Turrets



Flush-fitting Locking Side Plate Ensures a Secure and Repeatable Zero Hold

Square-shaped Recoil Stop Fully Engages Rail

Grooved Inner Surface Guarantees Tube Retention

Model #	RSW1104	RSW1154	RSW1204	RSW3104	RSW3154	RSW3224	RSW4154	RSW4204
Ring Type	Picatinny Single Rings [set of 2]							
Ring Diameter	1"	1"	1"	30mm	30mm	30mm	34mm	34mm
Profile	Low	Medium	High	Low	Medium	High	Medium	High
Fits Scope Outer Obj. Up to	45mm	55mm	65mm	49mm	59mm	73mm	63mm	73mm
A-Center Height	23mm	28mm	33mm	25mm	30mm	37mm	33mm	37mm
B-Saddle Height	10mm	15mm	20mm	10mm	15mm	22mm	20mm	20mm
C-Ring Width	16mm	16mm	16mm	16mm	16mm	16mm	16mm	16mm



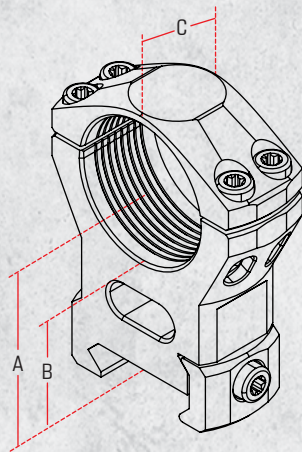
LOW PROFILE



MEDIUM PROFILE



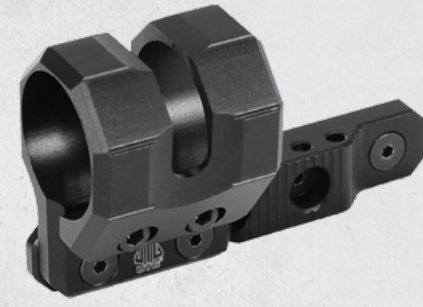
HIGH PROFILE



- STEEL
- PRECISION MACHINED
- MIL-STD-1913 PICATINNY
- SUPER SLIM PROFILE
- AVAILABLE COLOR(S)
 - Matte Black Nitrided
- DIMENSIONS



OFFSET | FTS RING MOUNTS & DOVETAIL-TO-PICATINNY ADAPTOR



RG-FL27MC

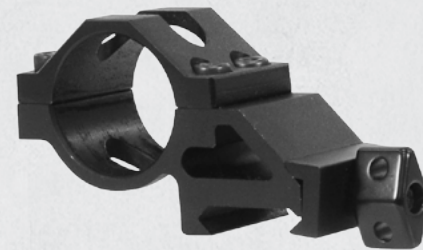


RG-FL27KC



Offset Flashlight Ring Mounts

- Mounts directly to Keymod or M-LOK® Interface (Depending on Model) for Optimal Close to Bore Alignment
- Snag-free Low Profile Design
- Removable Offset Mount Provides 1.60" Forward or Rearward Offset in addition to the Flashlight Ring's 1.12" Vertical or Downward Offset
- Complete with 2 Inserts to Accept 27mm, 25.4mm (1"), or 20mm Flashlight Tube Diameters [Also Refer to P.129]



RG-FL138

Angled Offset Ring Mount

- Offset Angle for Optimal Close to Bore Alignment
- Twist-lock Mount to Fit on any Picatinny Rail
- Lightweight, Precision Machined Aluminum with a Matte Black Finish
- Complete with 2 Inserts to Accept 27mm, 25.4mm (1"), or 20mm Flashlight Tube Diameters [Also Refer to P.129]



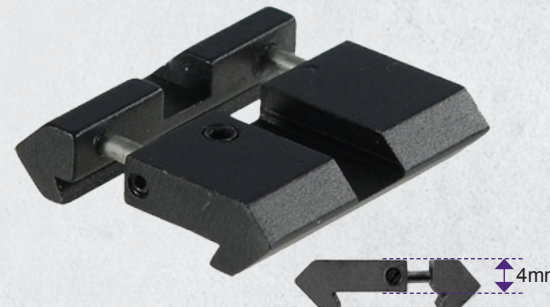
RG-MF30GS

Flip-To-Side Magnifier Ring Mount

- Precision Machined From Aircraft Aluminum with a Matte Black Finish
- Quick Detach Lever Lock Fully Adjusts to Fit on Any Picatinny Rail
- Complete with 2 Inserts to Accept 30mm, 27mm, or 25.4mm (1") Tube Diameters [Also Refer to P.045]



US PAT. D672839 US PAT. 8397421



MNT-DT2PW01

Dovetail-To-Picatinny Snap-in Rail Adaptor

- Allows Most Picatinny Products to Fit Dovetail Rails
- Spring Tensioned Design Snaps Adaptor into Picatinny/Weaver Base
- Features Removable Stop Pin for Added Retention
- 2 Adaptors Per Pack, Matte Black



US PAT. 8752325